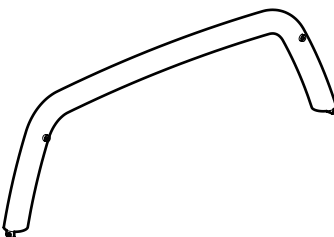
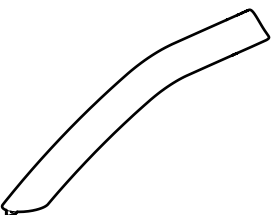
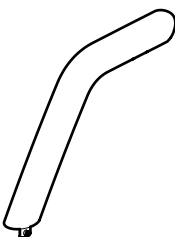
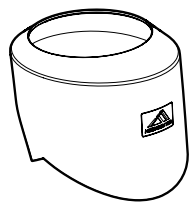
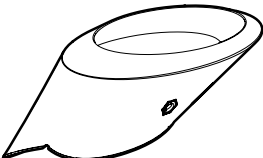
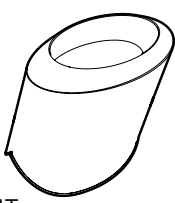
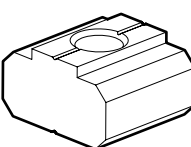
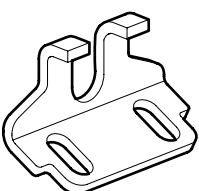
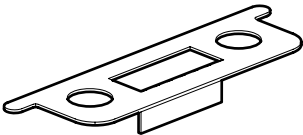
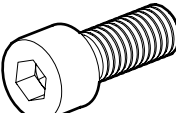
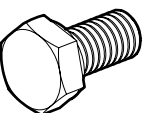
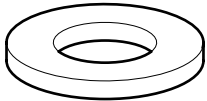
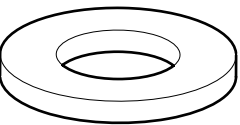
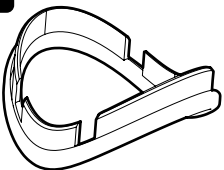


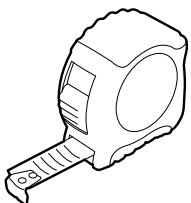
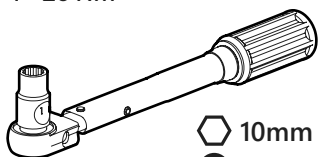
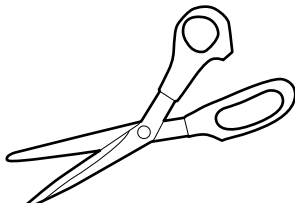


MOUNTAIN TOP® SPORTS BAR

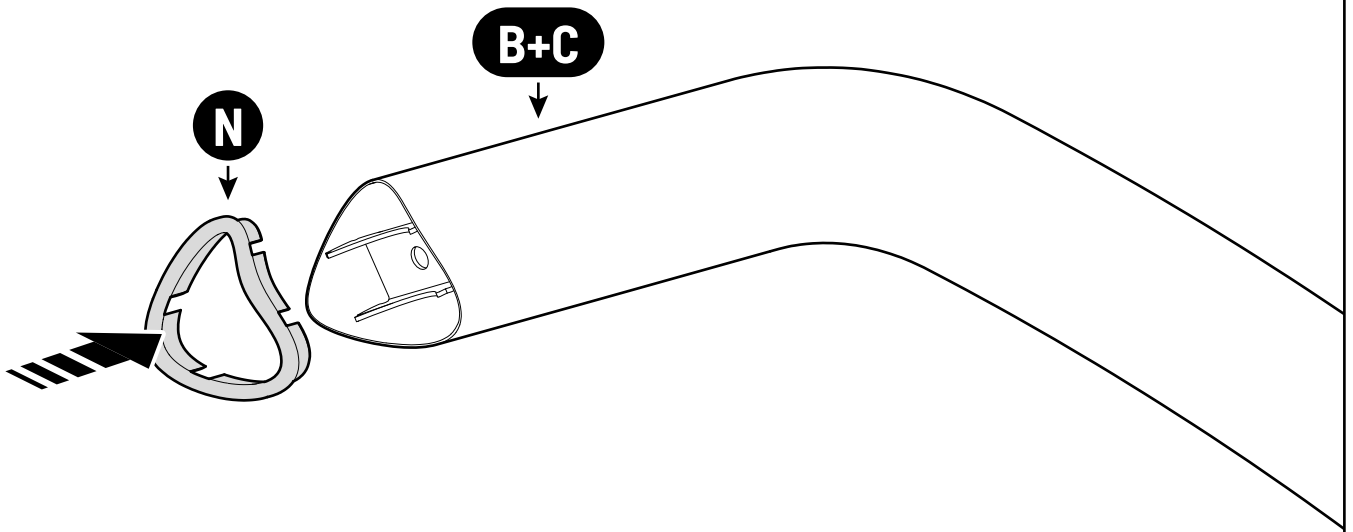
Installation manual

Parts		
A  x1	B  LEFT x1	C  RIGHT x1
D  FRONT x2	E  REAR LEFT x1	F  REAR RIGHT x1

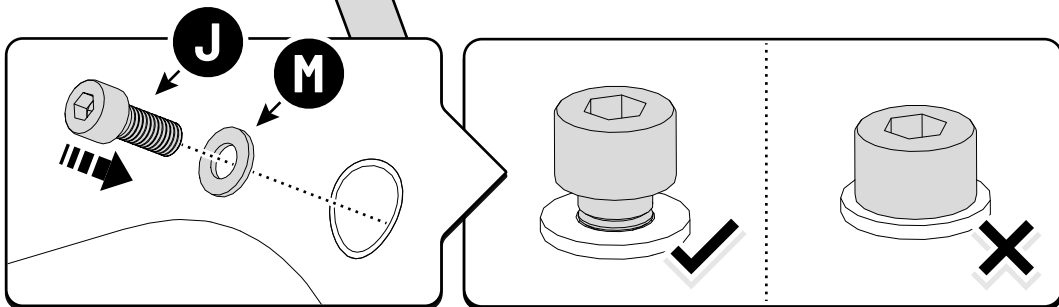
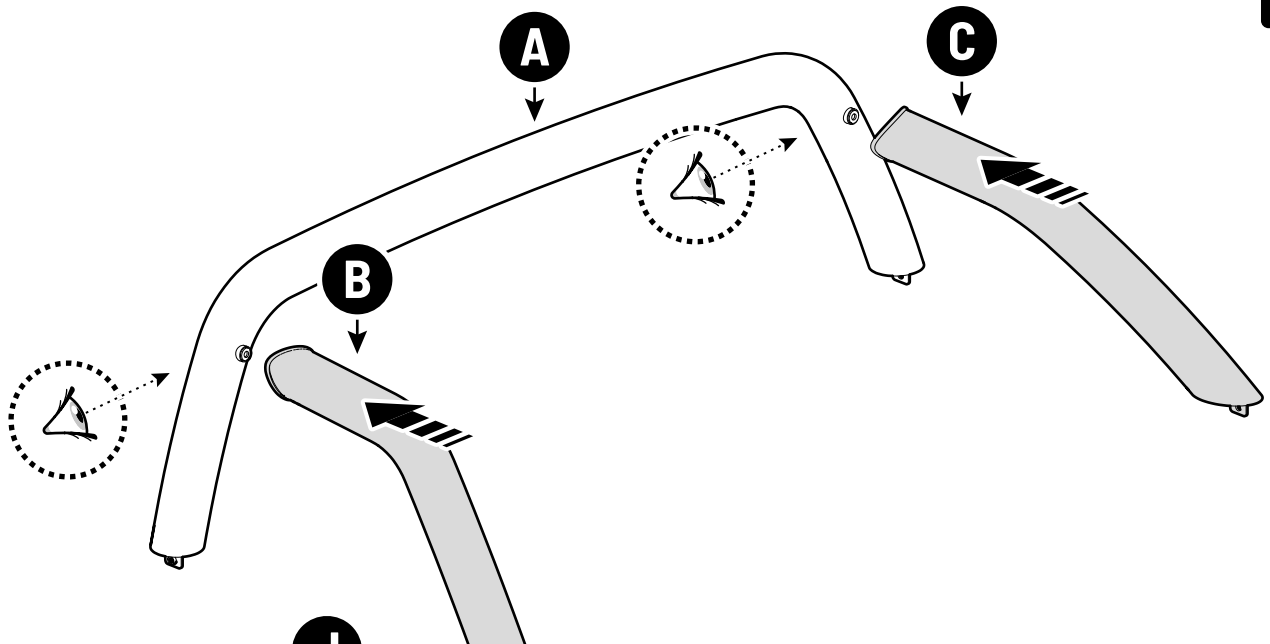
Parts			
G  x8	H  x4	I  x4	
J  x6	K  x8	L  x8	
M  x6	N  x2	O  x2	 Installation manual x1

Tools and materials needed		
	1 - 25 Nm  10mm 6 mm	

1

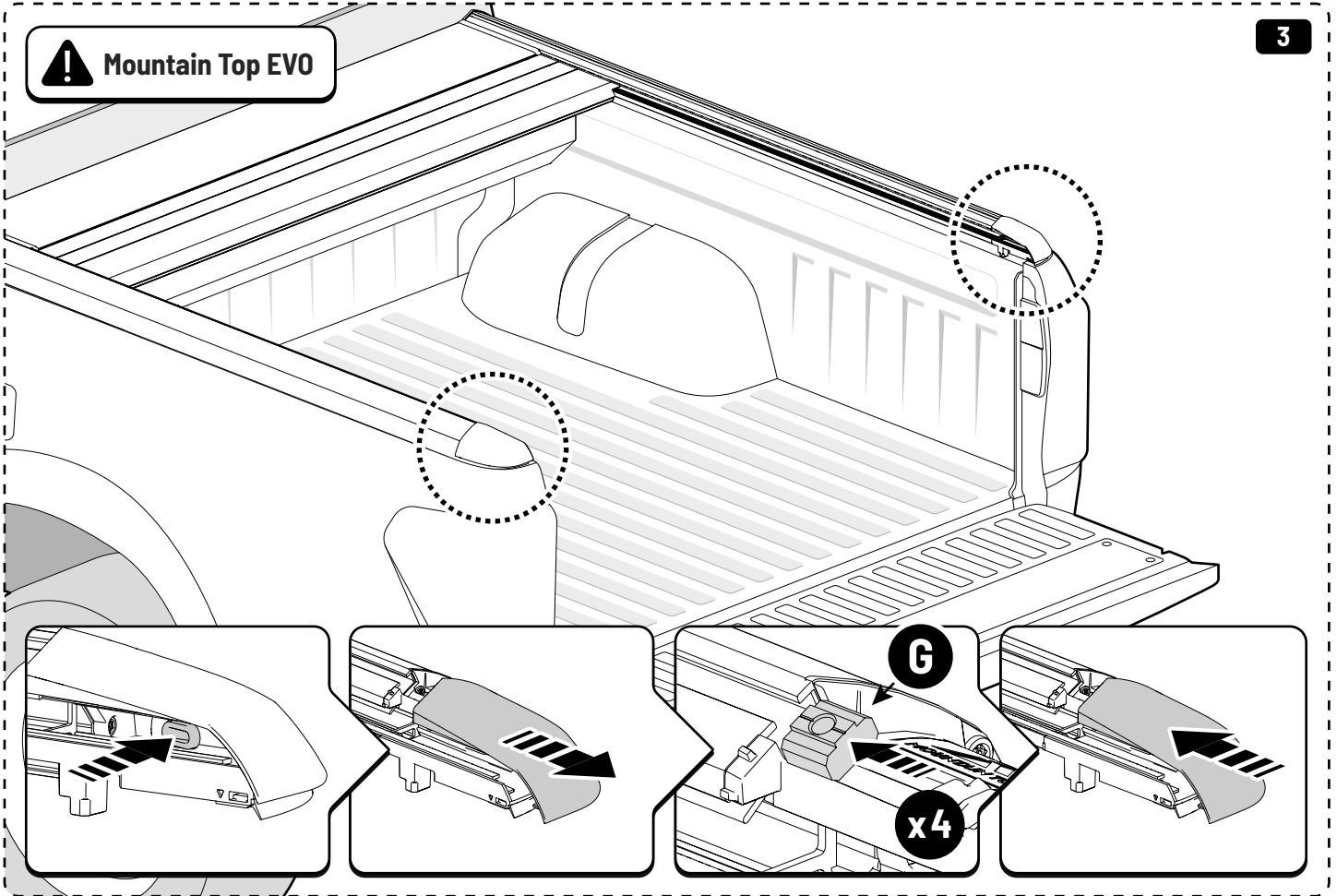


2

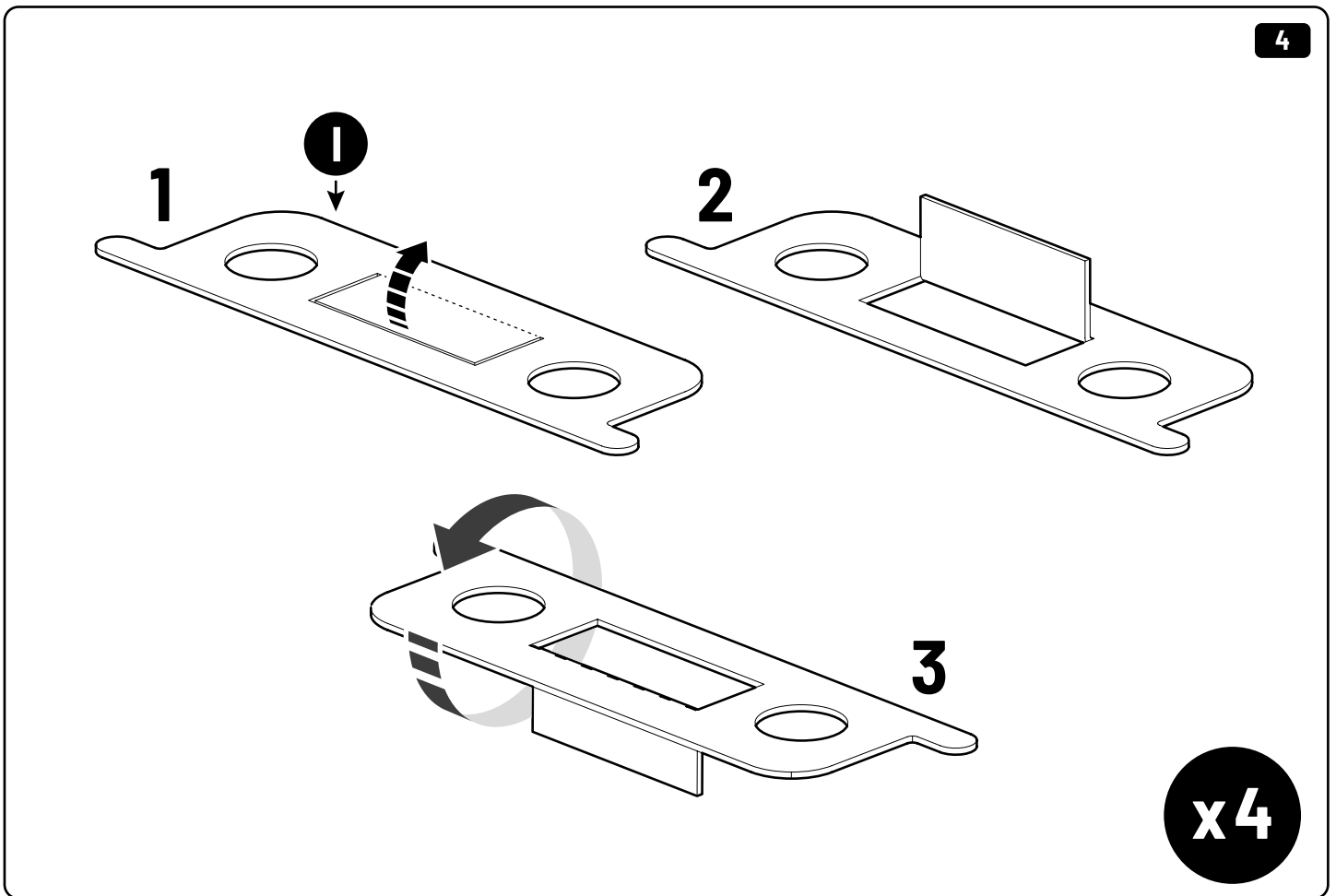


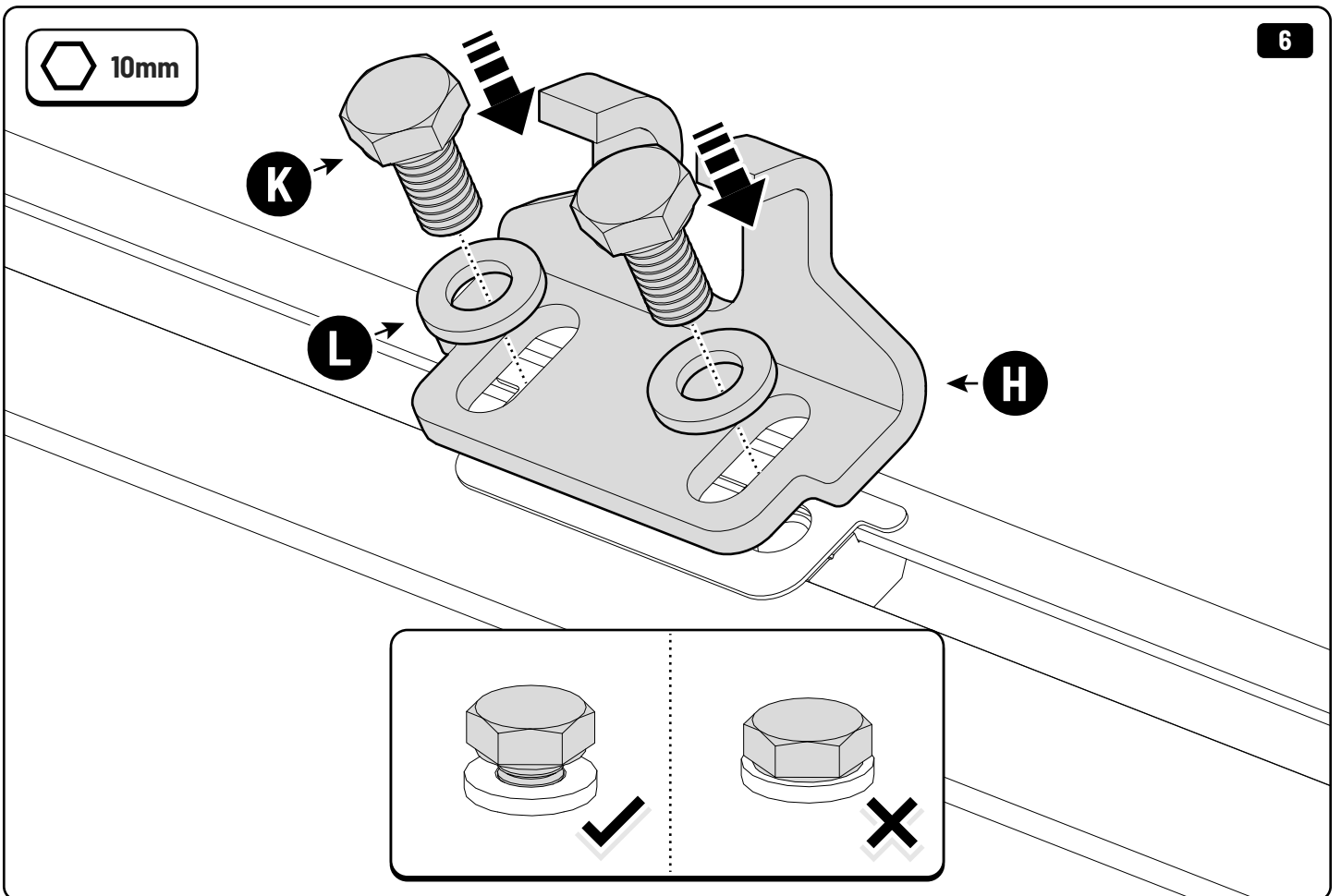
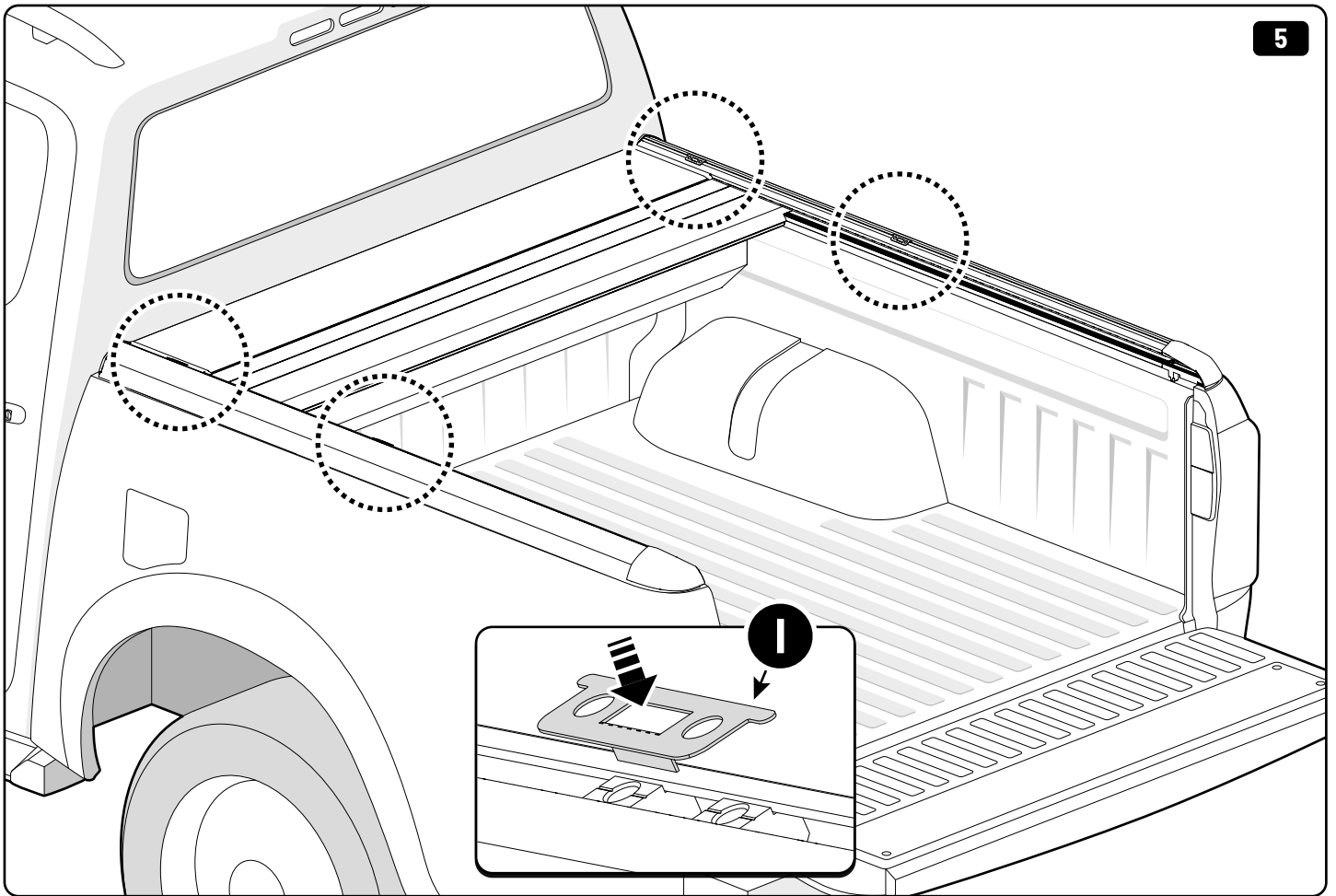
! Mountain Top EVO

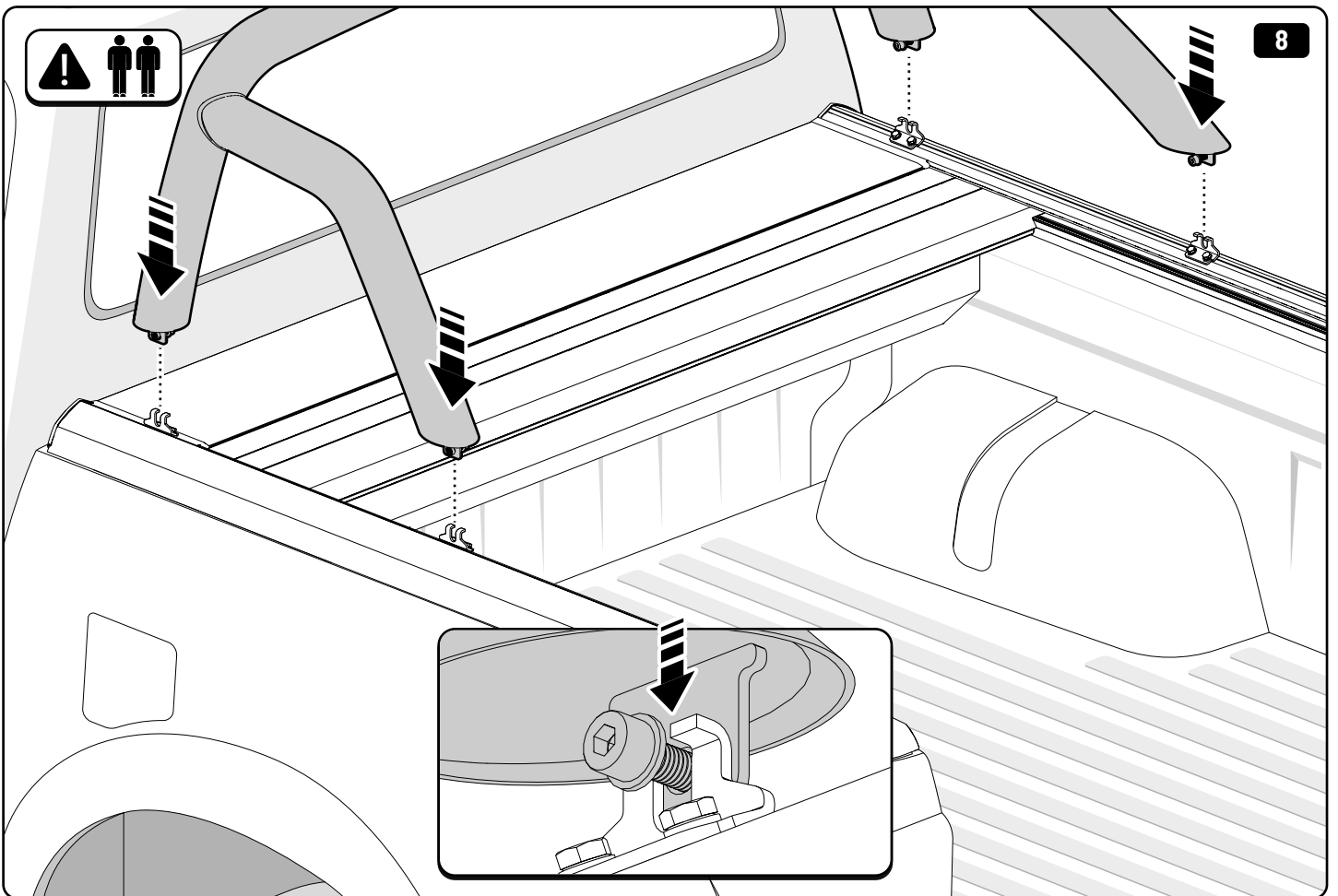
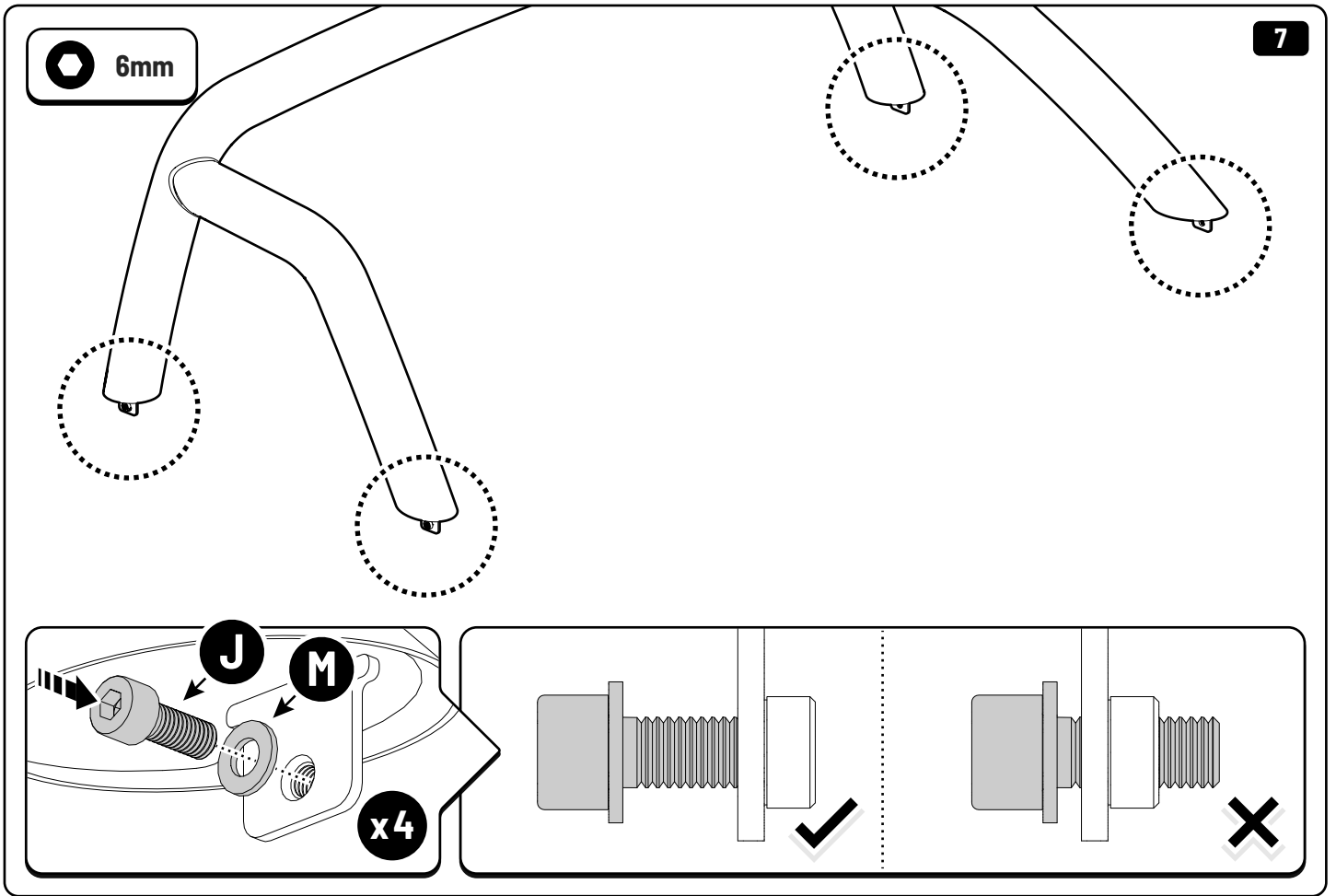
3

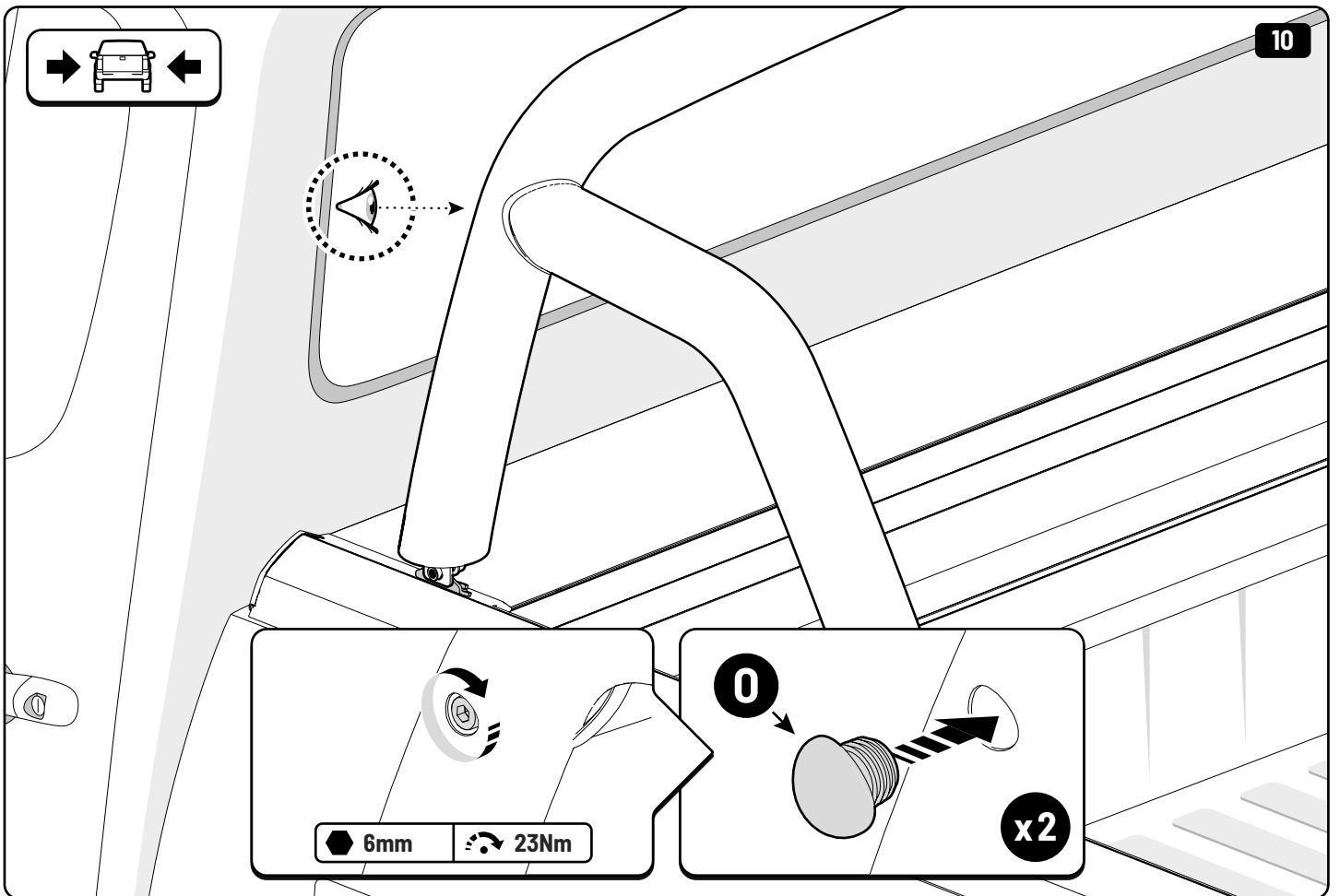
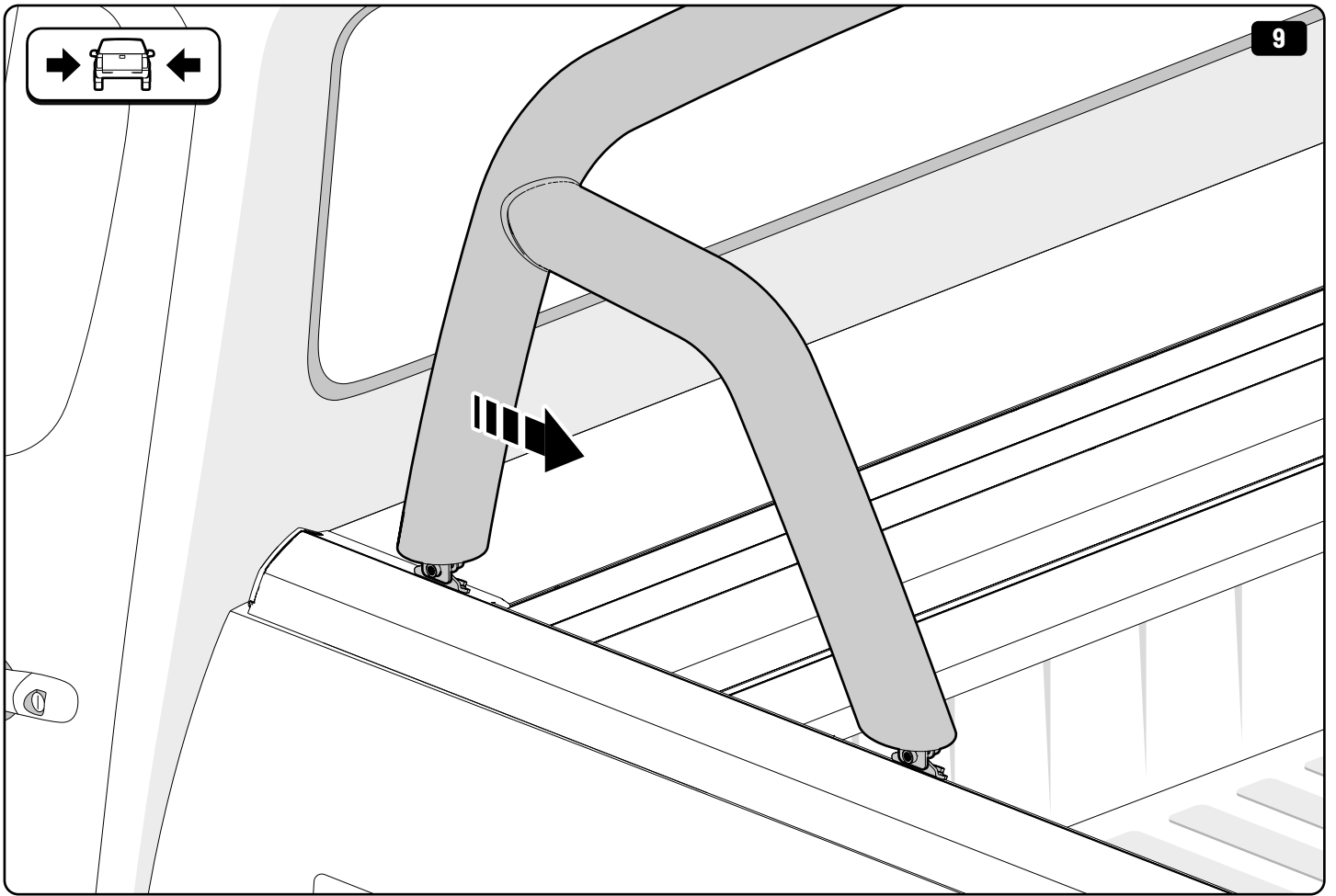


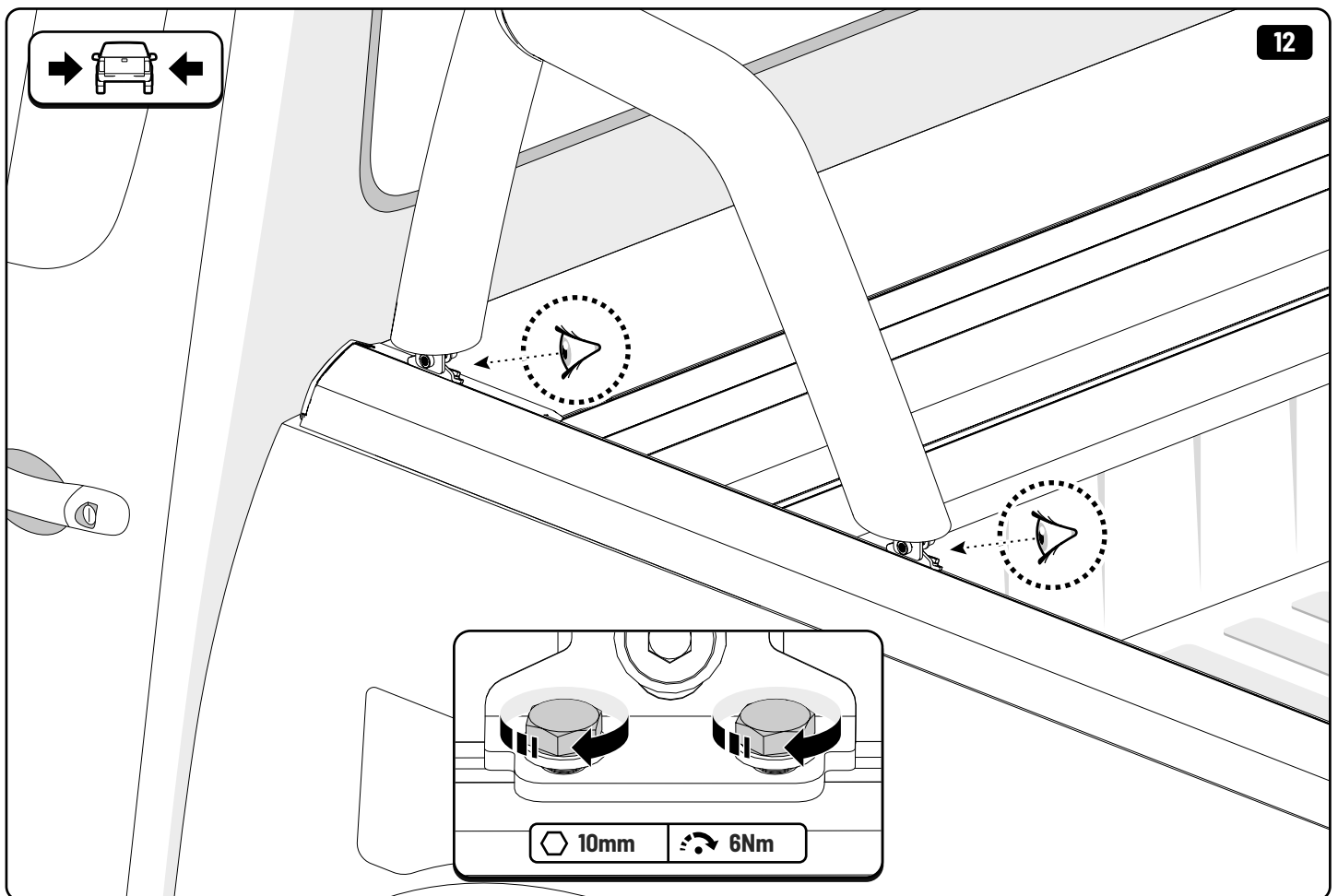
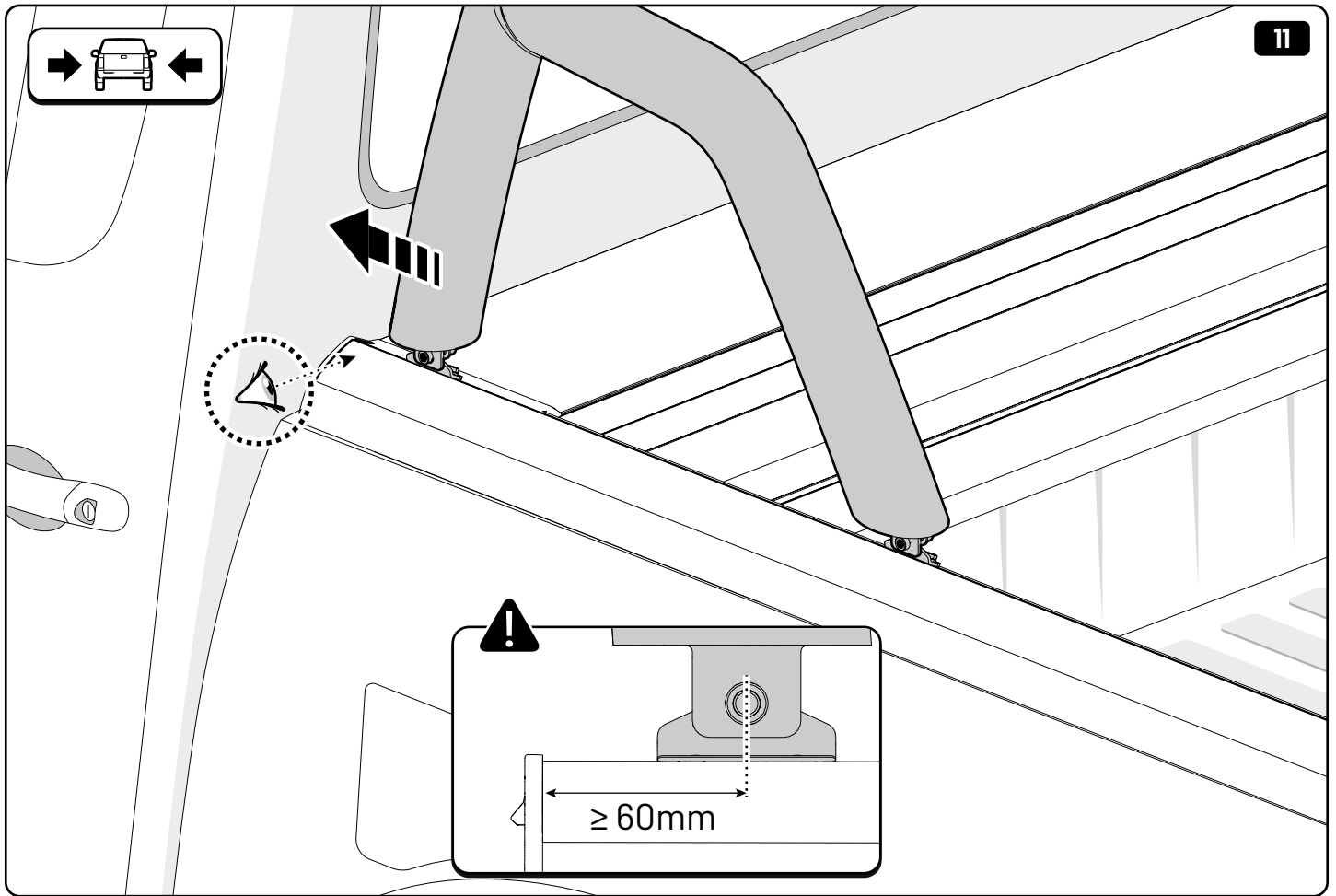
4

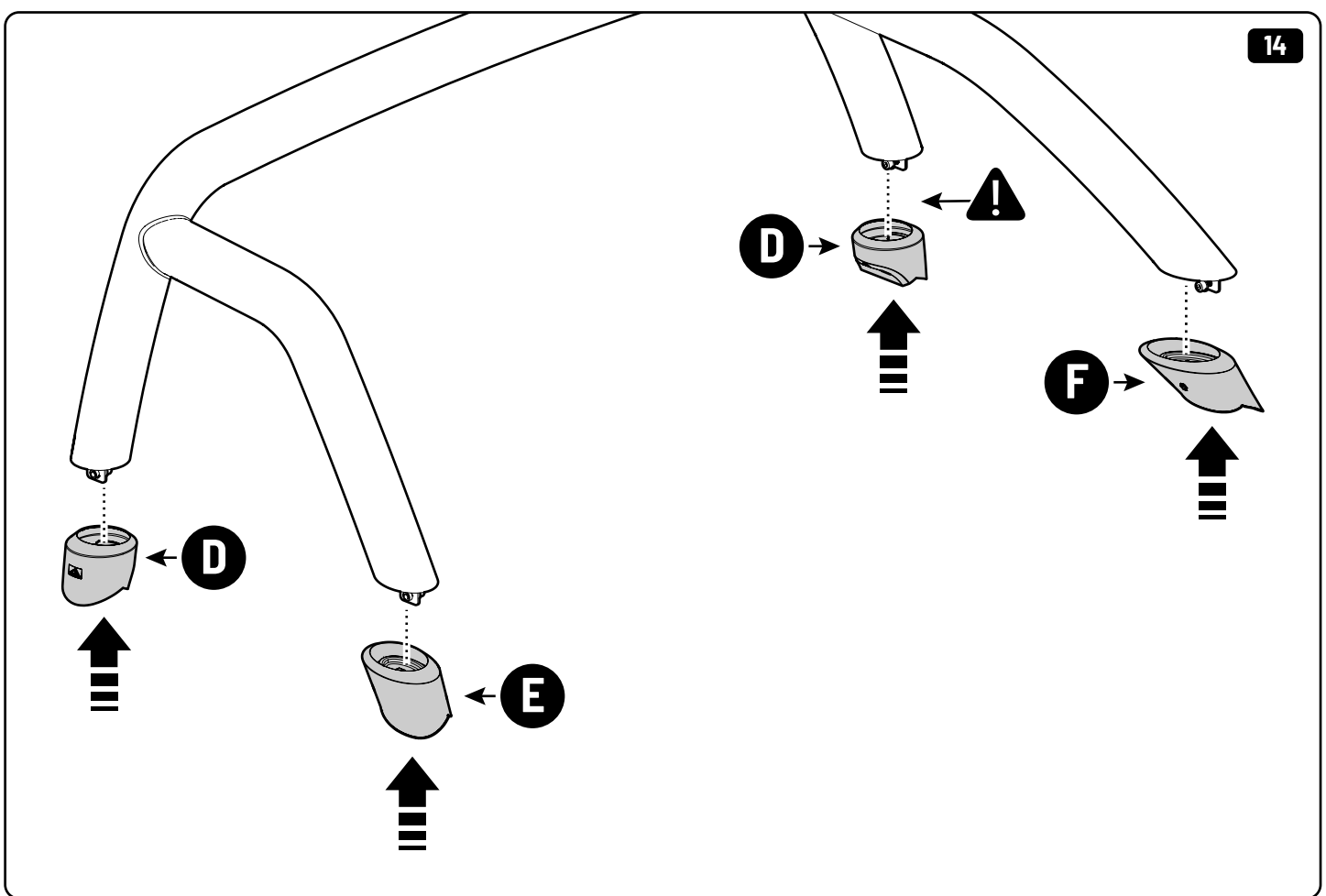
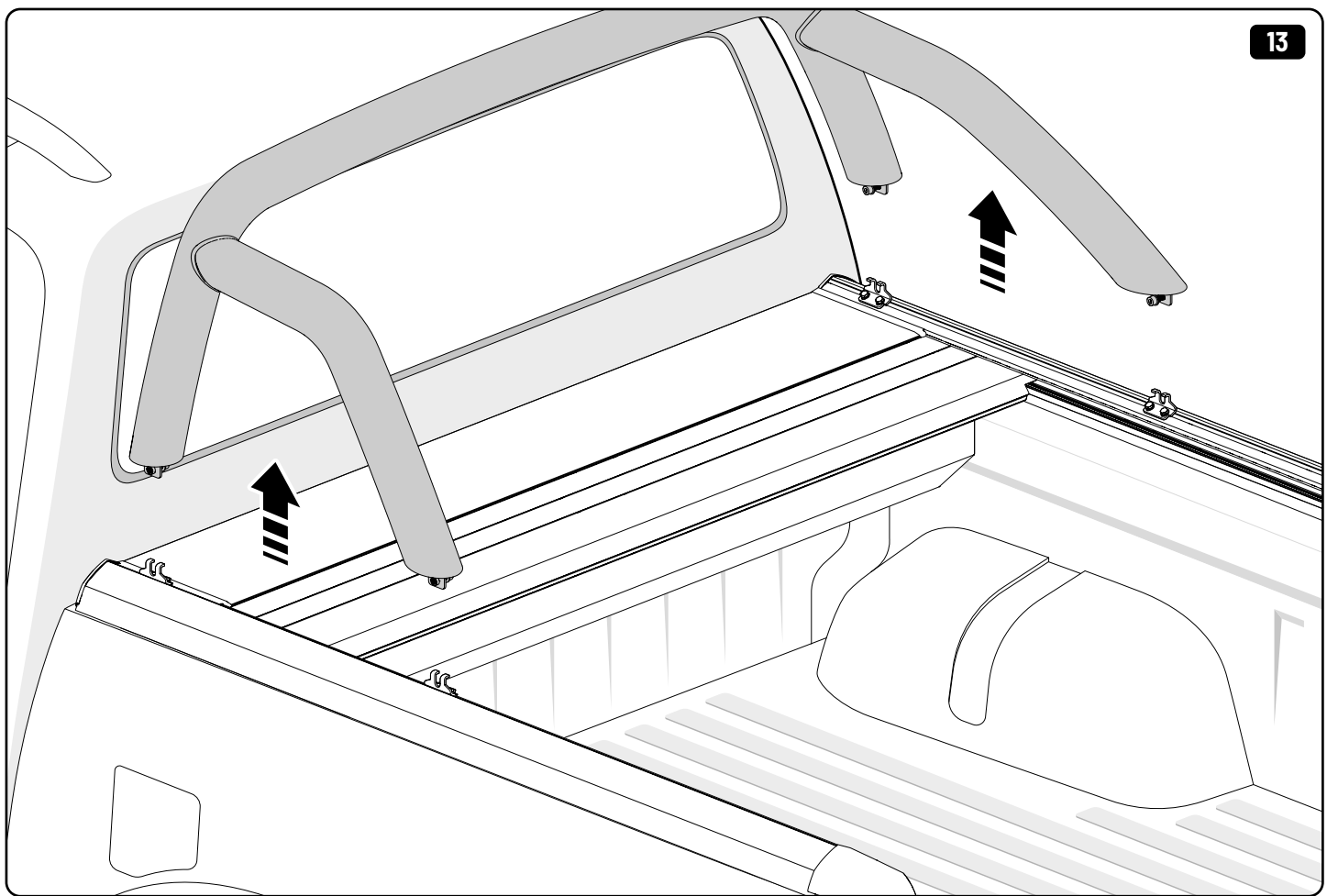


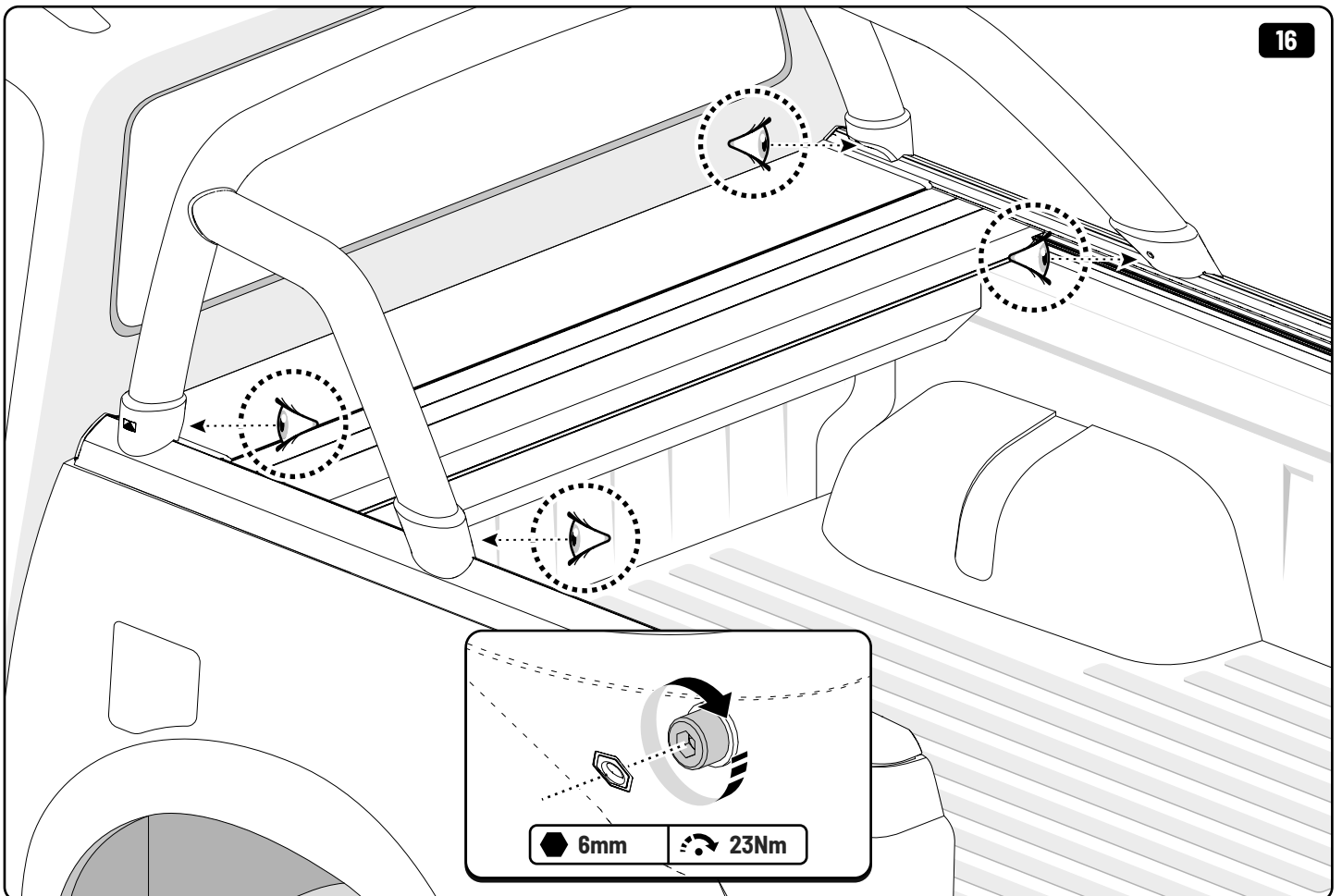
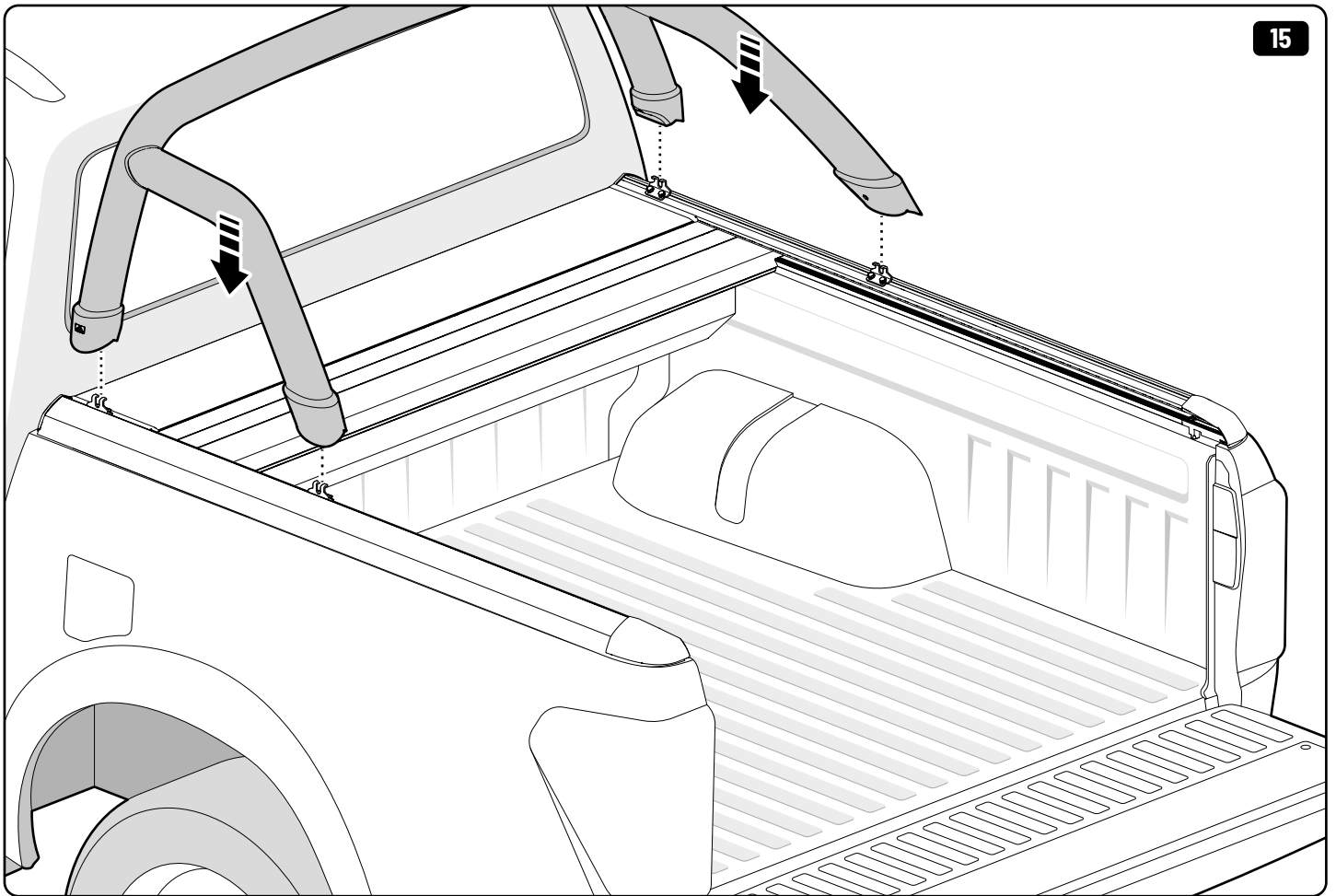














Customer Service +45 4810 2950 (08:00 - 16:00 CET)
Support info@mountaintop.dk
Website www.mountaintop.dk
Address Pedersholmparken 10, 3600 Frederikssund, Denmark

Part number (s)	Model / Year	Cab type (s)	Installation time	Weight
SBE T090	Toyota Hilux / 2016 →	Double / Extra	1 hour	10 Kg

GB Installation manual	S Monteringsanvisning	D Einbauanleitung
SF Asennusohje	E Instrucciones de montaje	CZ Návod k instalaci
F Notice de montage	H Szerelési utasítás	I Istruzioni de montaggio
PL Instrukcja montażu	P Instruções de instalação	GR Οδηγίες Εγκατάστασης
NL Installatie-instructies	RUS Инструкция по установке	DK Monteringsvejledning
TR Montaj Talimatı	N Monteringsveiledning	RO Instructiuni de instalare